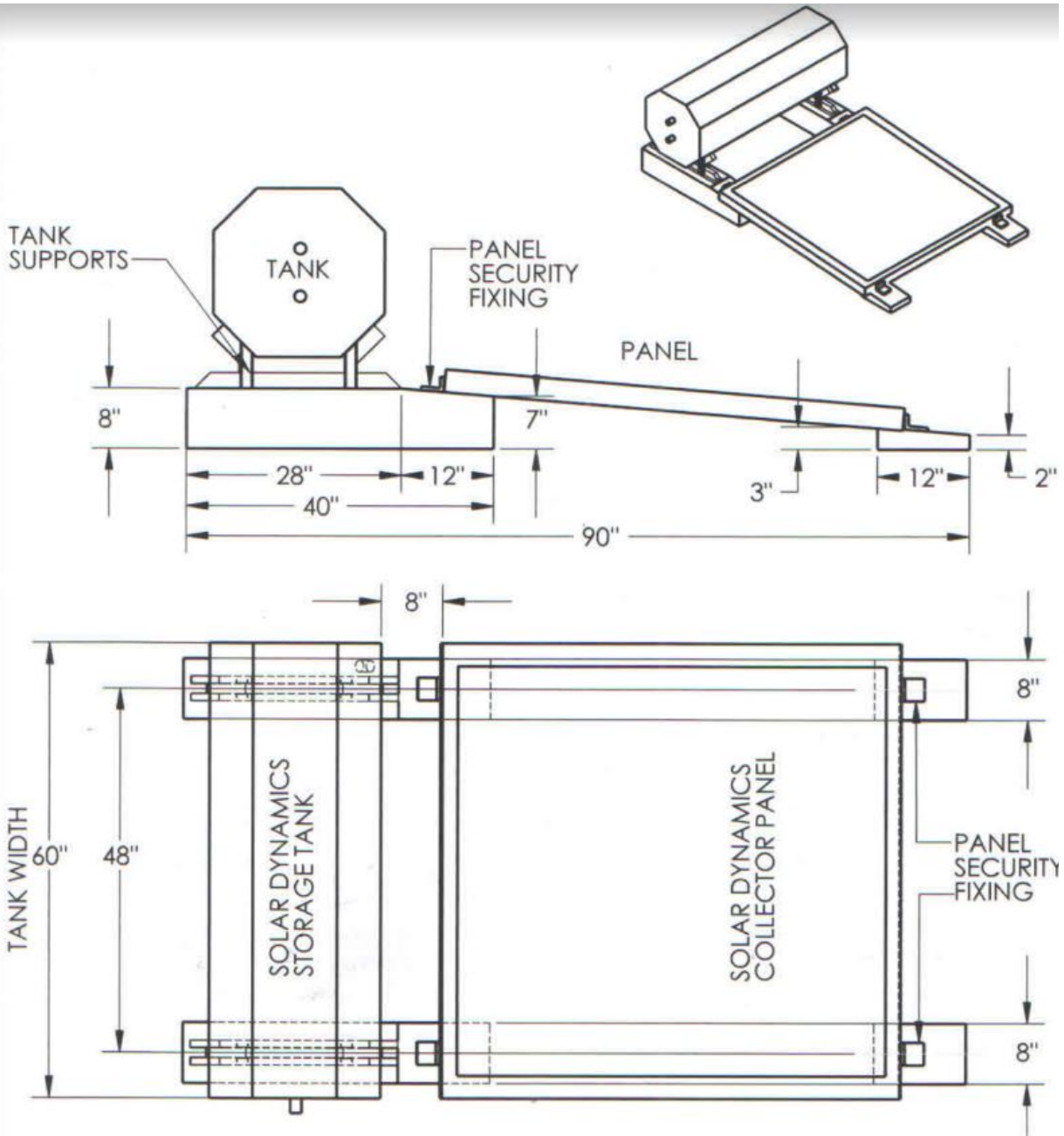


Solar Dynamics Limited Plinth Systems

52 gallon

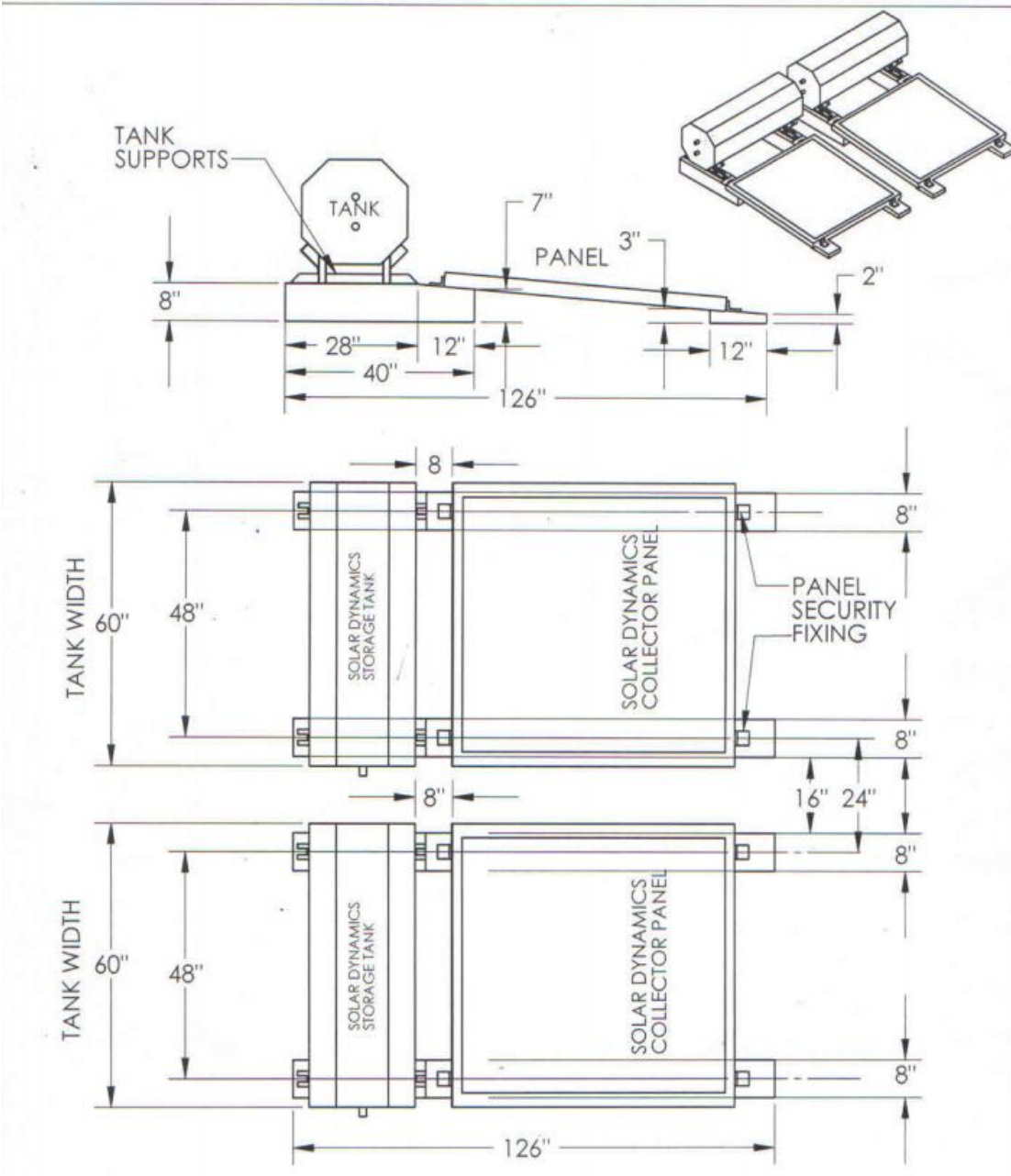


SOLAR DYNAMICS LTD
PLINTH DETAILS

52 Gallon System on
flat concrete roof

SRE DWG. NO. **A** SDL5220 REV.
SCALE: 1/8" = 1" SHEET 1 OF 1

80 gallon



SOLAR DYNAMICS LTD PLINTH DETAILS		
2 No. 80 Gallons Systems		
SIZE A	DWG. NO. SDL8033-2	REV.
SCALE: 2B	WEIGHT:	SHEET 1 OF 1